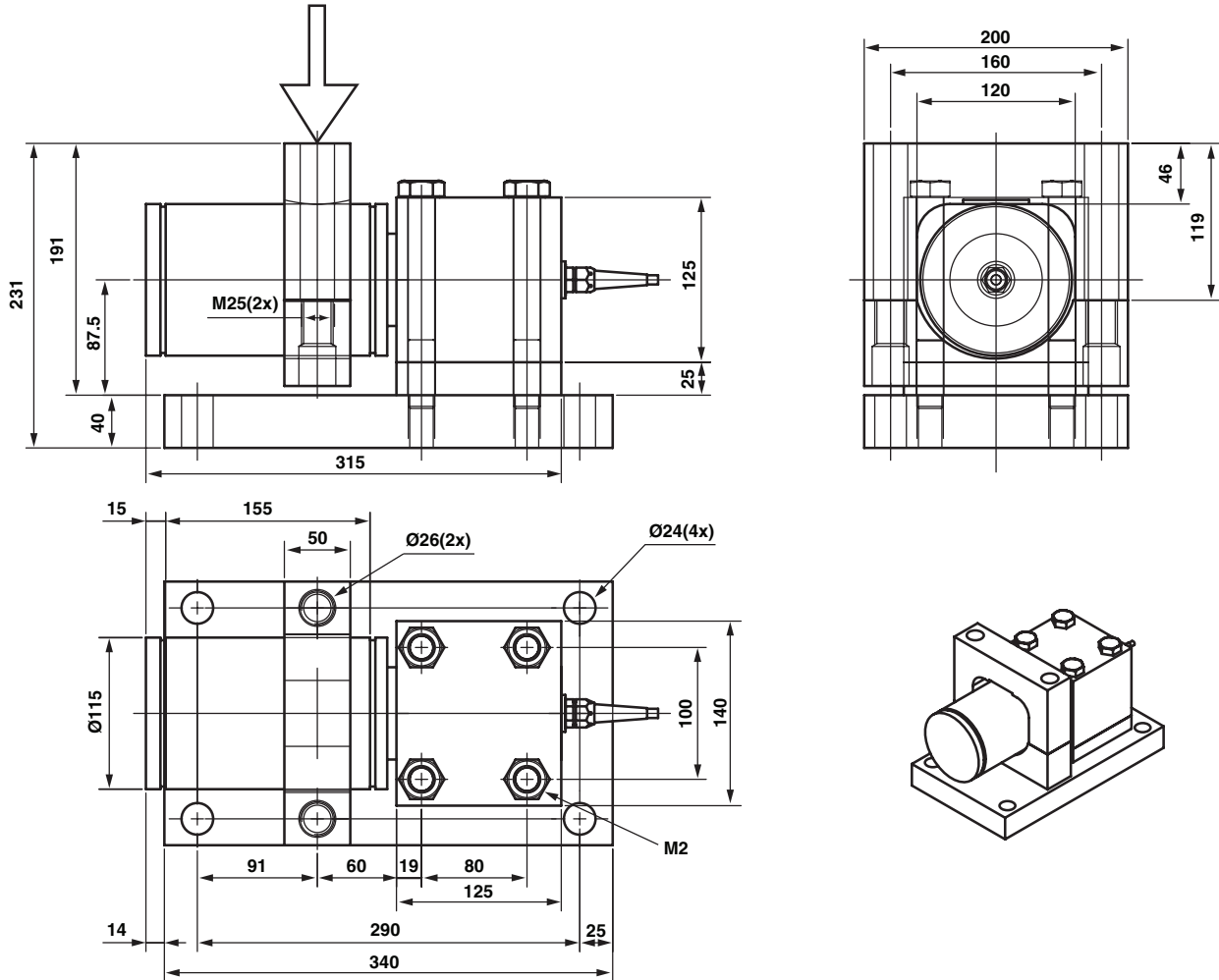


SPECIFICATIONS			
PARAMETER		VALUE	UNIT
Rated load (R.L.)		200	kN
Combined error (terminal)		±0.1	% of R.L.
Repeatability		0.02	% of R.L.
Overload safe	ref. to rec. loading point	50	% of R.L.
Overload ultimate	ref. to rec. loading point	100	% of R.L.
Side load ultimate		100	% of R.L.
Input voltage recommended		10	V DC or AC
Input voltage maximum		18	V DC or AC
Input resistance		350±5	Ω
Output resistance		350±0.5	Ω
Rated output (R.O.)		2.040	mV/V
Tolerance of R.O.		±0.25	% of R.O.
Zero balance		±2	% of R.O.
Tolerance of shunt calibration values		±0.25	%
Creep at R.L. after 30min		±0.03	% of R.L.
Temperature range		-40 to +100	°C
Temperature effect (-10 to +50°C)	on output	±0.003	% of output/°C
	on zero balance	±0.003	% of R.O./°C
Deflection at R.L.		0.1 - 0.3	mm
Insulation resistance at 200V DC		>4	GΩ
Electrical connection		10m four conductor cable	
Sealing		IP67	mm

DIMENSIONS OPTION TILT GUARD in millimeters



Disclaimer

All product specifications and data are subject to change without notice.

Vishay Precision Group, Inc., its affiliates, agents, and employees, and all persons acting on its or their behalf (collectively, "Vishay Precision Group"), disclaim any and all liability for any errors, inaccuracies or incompleteness contained herein or in any other disclosure relating to any product.

Vishay Precision Group disclaims any and all liability arising out of the use or application of any product described herein or of any information provided herein to the maximum extent permitted by law. The product specifications do not expand or otherwise modify Vishay Precision Group's terms and conditions of purchase, including but not limited to the warranty expressed therein, which apply to these products.

No license, express or implied, by estoppel or otherwise, to any intellectual property rights is granted by this document or by any conduct of Vishay Precision Group.

The products shown herein are not designed for use in medical, life-saving, or life-sustaining applications unless otherwise expressly indicated. Customers using or selling Vishay Precision Group products not expressly indicated for use in such applications do so entirely at their own risk and agree to fully indemnify Vishay Precision Group for any damages arising or resulting from such use or sale. Please contact authorized Vishay Precision Group personnel to obtain written terms and conditions regarding products designed for such applications.

Product names and markings noted herein may be trademarks of their respective owners.